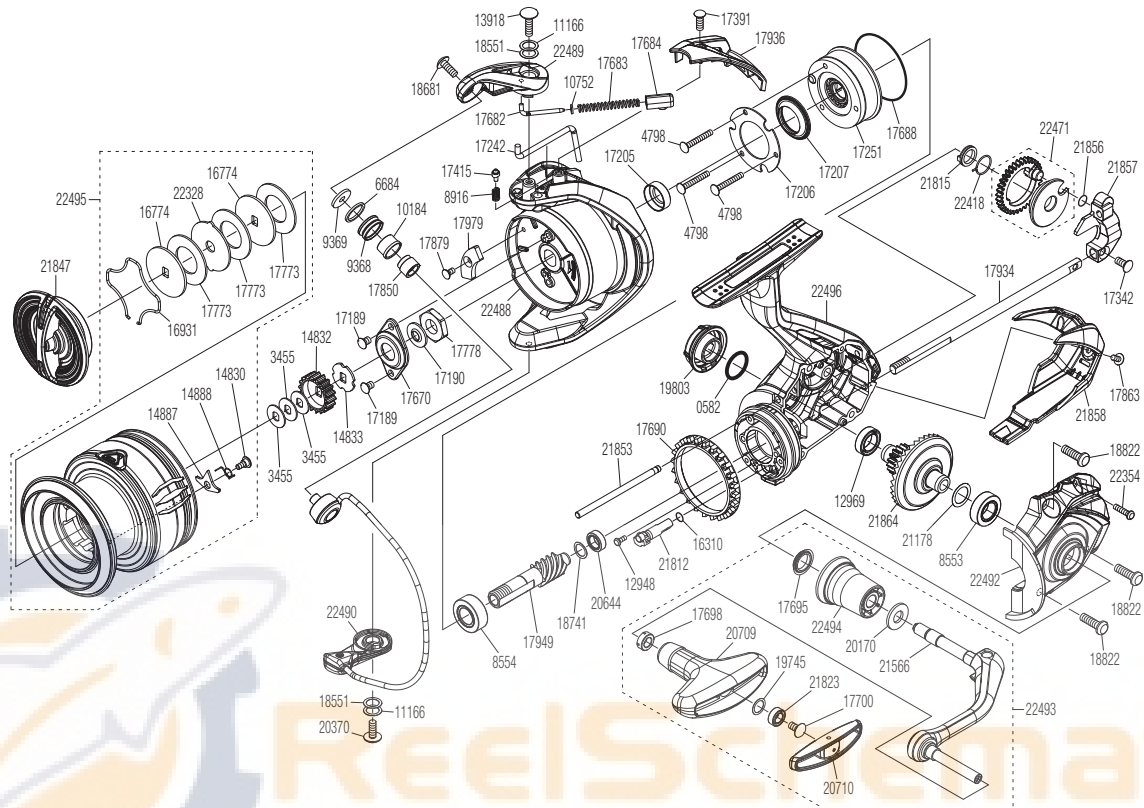


SHIMANO

MIRAVEL

MV-4000XG



Please note that the number of adjusting washers may not always be the same as shown in the exploded views.

(51SF63CH45X)

Please note that your actions take full responsibility when you take it apart.

Part No.	Description	Part No.	Description	Part No.	Description
RD 0582	O Ring	RD17415	Click Pin	RD21812	Anti Reverse Cam
RD 3455	Spool Washer	RD17670	Rotor Nut Lock Plate	RD21815	Bushing
RD 4798	Screw	RD17682	Bail Spring Guide A	RD21823	Ball Bearing
RD 6684	Spacer	RD17683	Bail Spring	RD21847	Drag Knob Assembly
RD 8553	Ball Bearing	RD17684	Bail Spring Guide B	RD21853	Oscillating Guide
RD 8554	Ball Bearing	RD17688	O Ring	RD21856	O Ring
RD 8916	Click Spring	RD17690	Friction Ring	RD21857	Oscillating Slider
RD 9368	Line Roller	RD17695	Handle Shaft Seal	RD21858	Rear Protector
RD 9369	Washer	RD17698	Bushing	RD21864	Drive Gear
RD10184	Bushing	RD17700	Screw	RD22328	Eared Washer
RD10752	Bail Spring Guide A Collar	RD17773	Drag Washer	RD22354	Screw
RD11166	Spacer	RD17778	Rotor Nut	RD22418	Bushing Spring
RD12948	Screw	RD17850	Collar	RD22471	Oscillating Gear
RD12969	Ball Bearing	RD17863	Screw	RD22488	Rotor
RD13918	Screw	RD17879	Screw	RD22489	Bail Arm
RD14830	Screw	RD17934	Main Shaft	RD22490	Bail Assembly
RD14832	Spool Support A	RD17936	Bail Spring Cover	RD22492	Side Cover
RD14833	Spool Support B	RD17949	Pinion Gear	RD22493	Handle Assembly
RD14887	Drag Click	RD17979	Counter Weight	RD22494	Handle Shaft Cover Assembly
RD14888	Drag Click Spring	RD18551	Washer	RD22495	Spool Assembly
RD16310	O Ring	RD18681	Screw	RD22496	Body Assembly
RD16774	Key Washer	RD18741	Washer		
RD16931	Retainer	RD18822	Screw		
RD17189	Screw	RD19745	Washer		
RD17190	Bearing Water Proof	RD19803	Handle Screw Cap		
RD17205	Rotor Ring	RD20170	Washer		
RD17206	Roller Clutch Reinforce	RD20370	Screw		
RD17207	Roller Clutch Water Proof	RD20644	Ball Bearing		
RD17242	Bail Trip Lever	RD20709	Handle Knob		
RD17251	Roller Clutch Assembly	RD20710	Handle Knob Seal		
RD17342	Screw	RD21178	Washer		
RD17391	Screw	RD21566	Handle Shank Assembly		